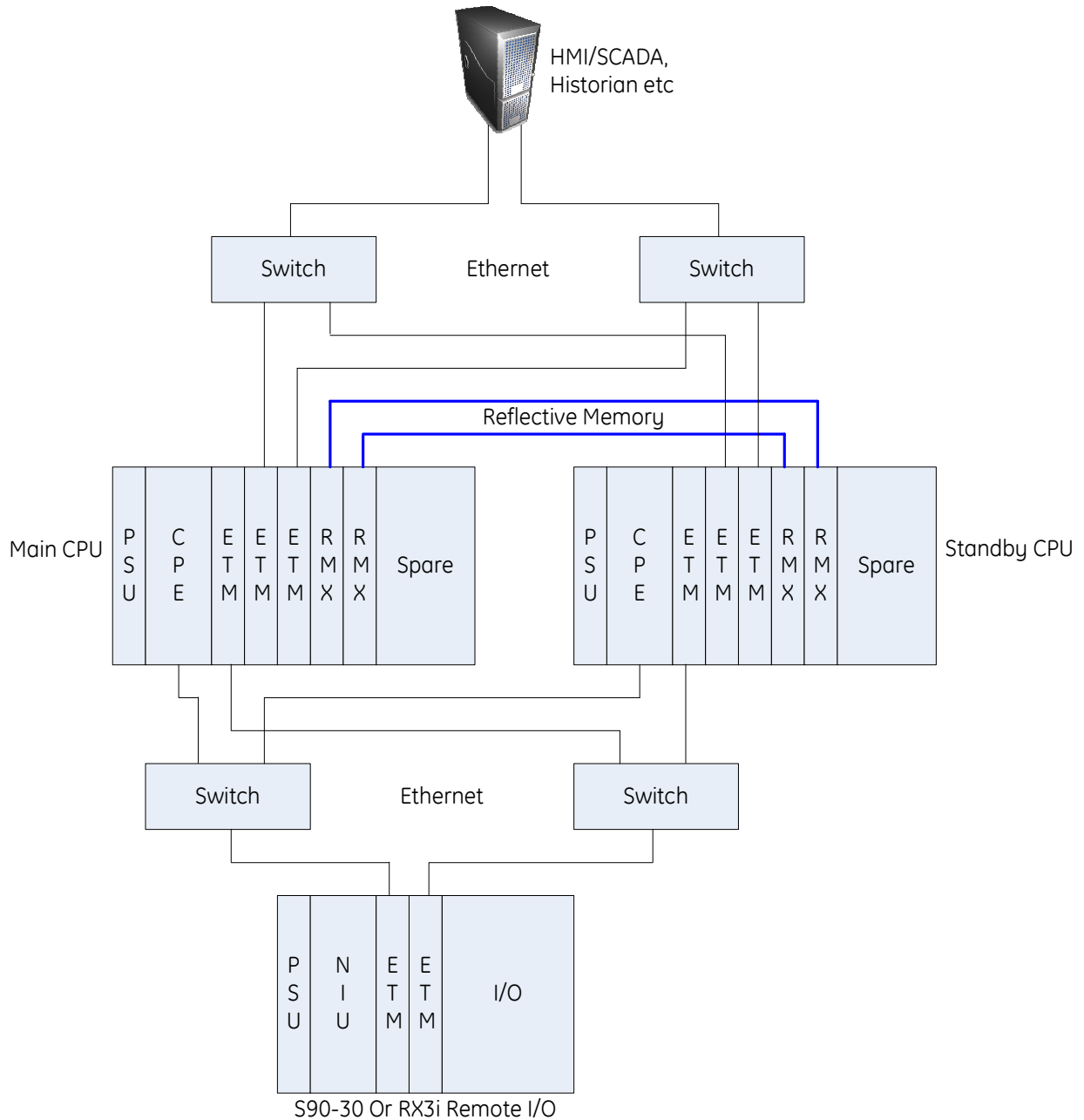




RX7i RMX Synchronised Hot Standby Redundancy Ethernet System Architecture



- Key
- PSU – Power Supply Unit
 - CPU – Central Processing Unit
 - CPE – Central Processing Unit with Ethernet
 - GBC – Genius Bus Controller
 - NIU – Network Interface Unit
 - ETM – Ethernet Interface Module
 - RMX – Redundancy Communications Module
 - I/O – Inputs and Outputs