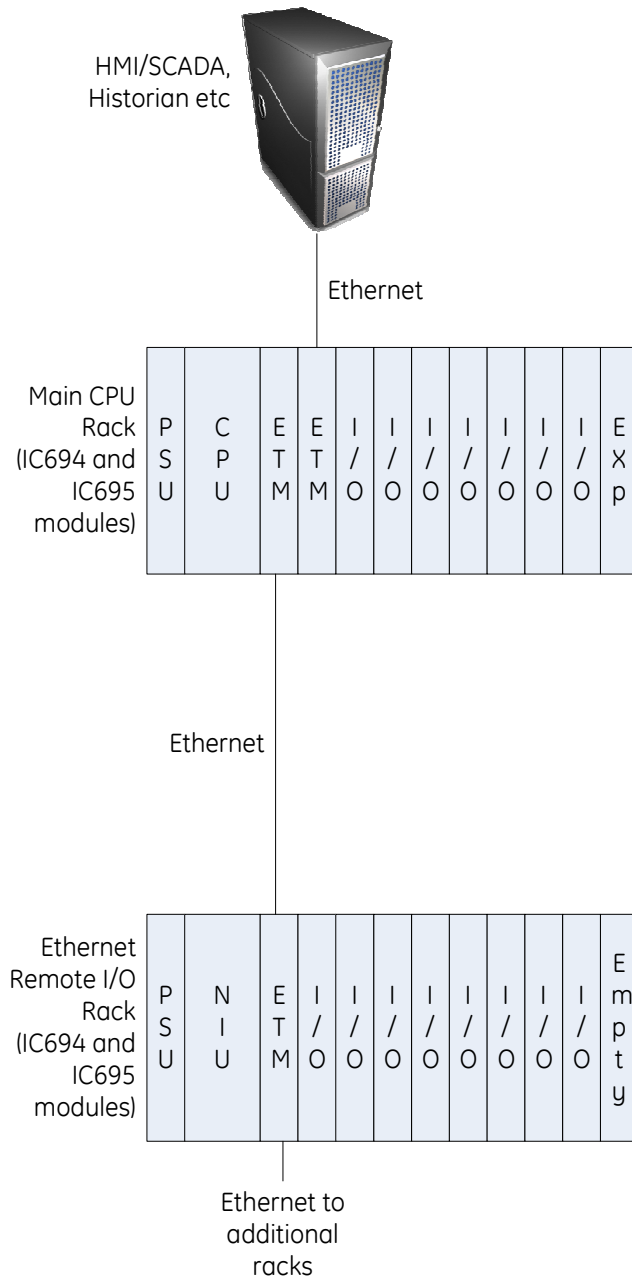




## RX3i System Architecture



### Key

- PSU – Power Supply Unit (DC unit shown)
- CPU – Central Processing Unit
- NIU – Network Interface Unit
- ETM – Ethernet Interface Module
- RMX – Redundancy Communications Module
- I/O – Inputs and Outputs
- Exp – Local Expansion Module
- Empty – spare slot in Ethernet remote I/O rack to allow local expansion racks

### Notes

- 12 slot Main CPU rack shown, 16 slot rack also available
- 10 slot local I/O rack shown, 5 slot rack also available
- Maximum I/O – 32,768 discrete inputs, 32,768 discrete outputs, 32,768 analogue inputs, 32,768 analogue outputs
- ETM includes switch for daisy chaining of Ethernet network
- Main CPU rack shows DC power supply, AC power supply is 2 slots