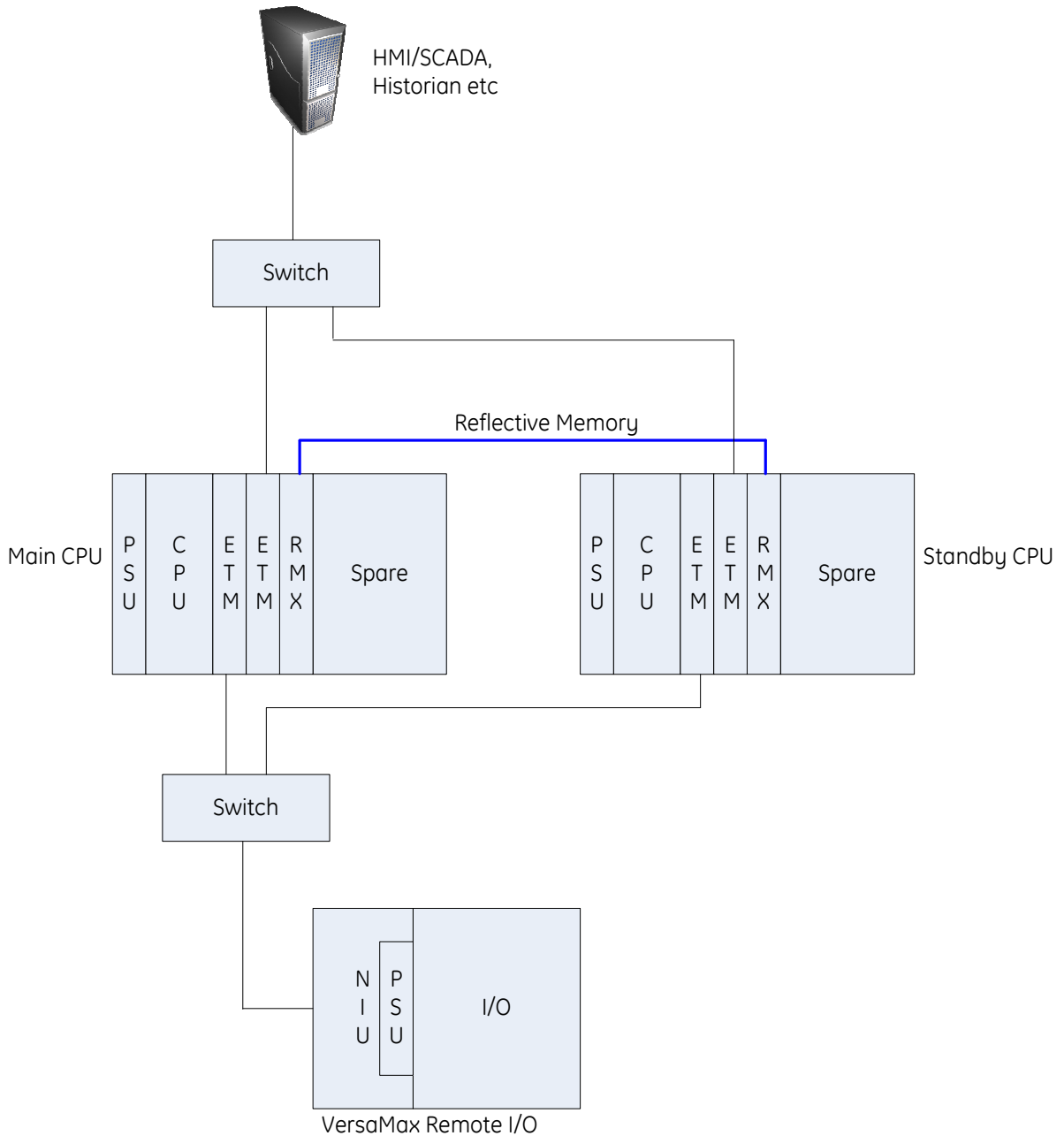




RX3i RMX And VersaMax I/O Synchronised Hot Standby Redundancy Ethernet System Architecture



- Key
- PSU – Power Supply Unit
 - CPU – Central Processing Unit
 - NIU – Network Interface Unit
 - ETM – Ethernet Interface Module
 - RMX – Redundancy Communications Module
 - I/O – Inputs and Outputs