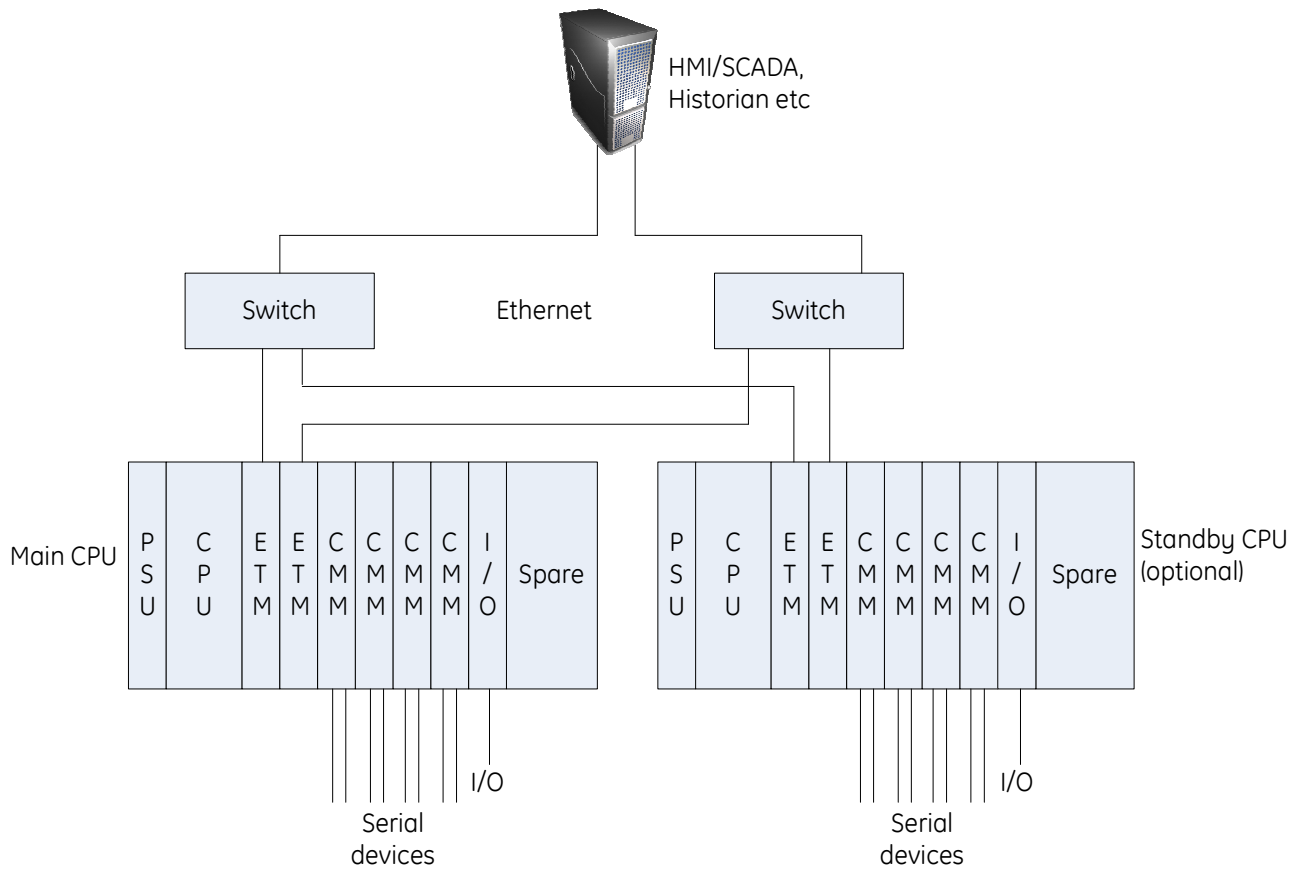




RX3i Data Concentrator System Architecture



- Key
- PSU – Power Supply Unit
 - CPU – Central Processing Unit
 - ETM – Ethernet Interface Module (1 port)
 - CMM – Serial Communications Module (2 or 4 ports)
 - I/O – Inputs and Outputs (discrete and analogue)