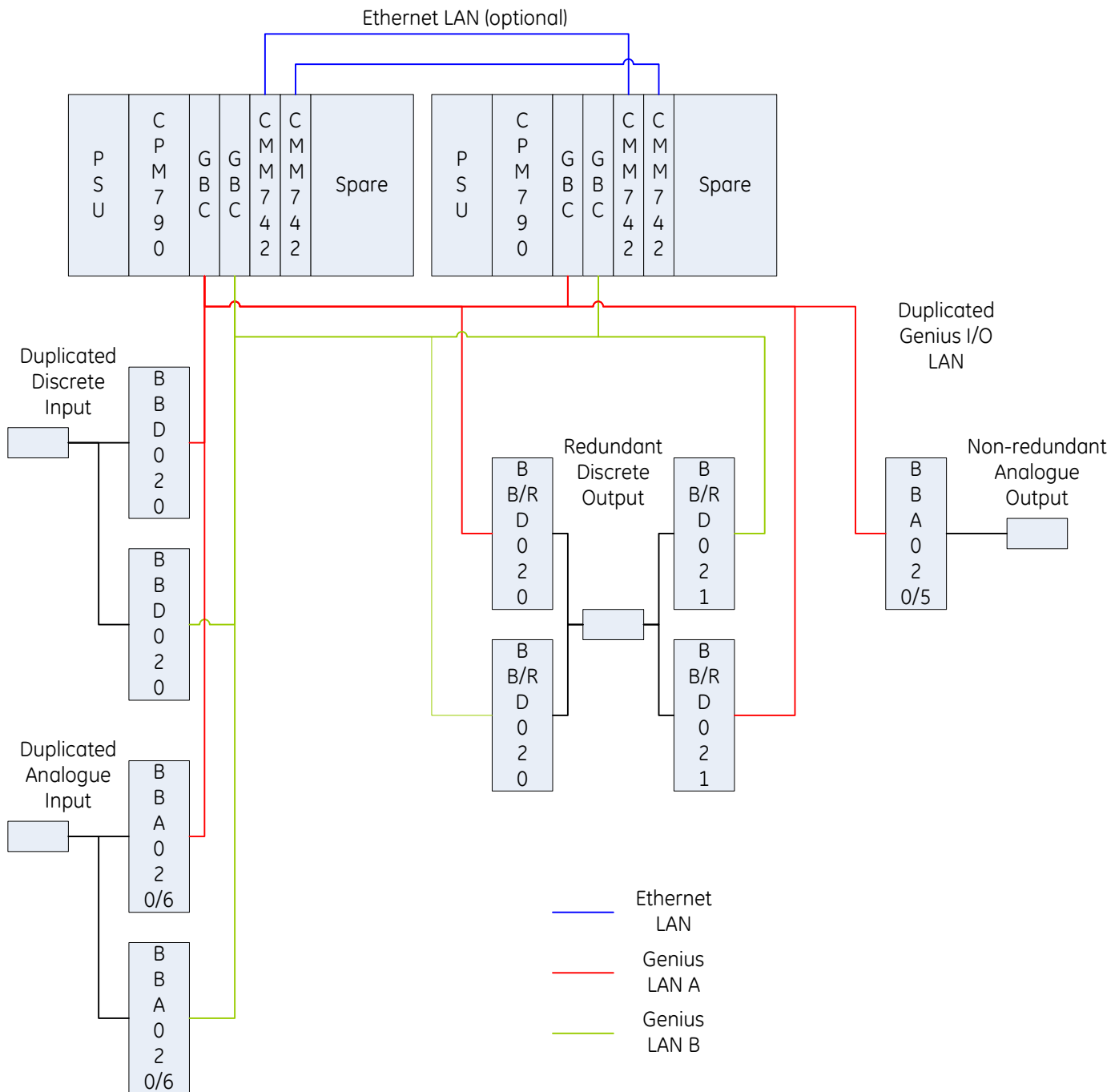




GMR 1002 2002 SIL2/3 DI QO System Architecture



Notes

- SIL3/TUV6 Fail Safe
- SIL2/TUV4 Fault Tolerant
- Duplex Inputs, Quad Outputs
- Genius I/O LAN is actually daisy chained from one device to the next
- Each end of the Genius I/O LAN must be correctly terminated
- 16 point discrete blocks preferred, 32 point discrete blocks also available