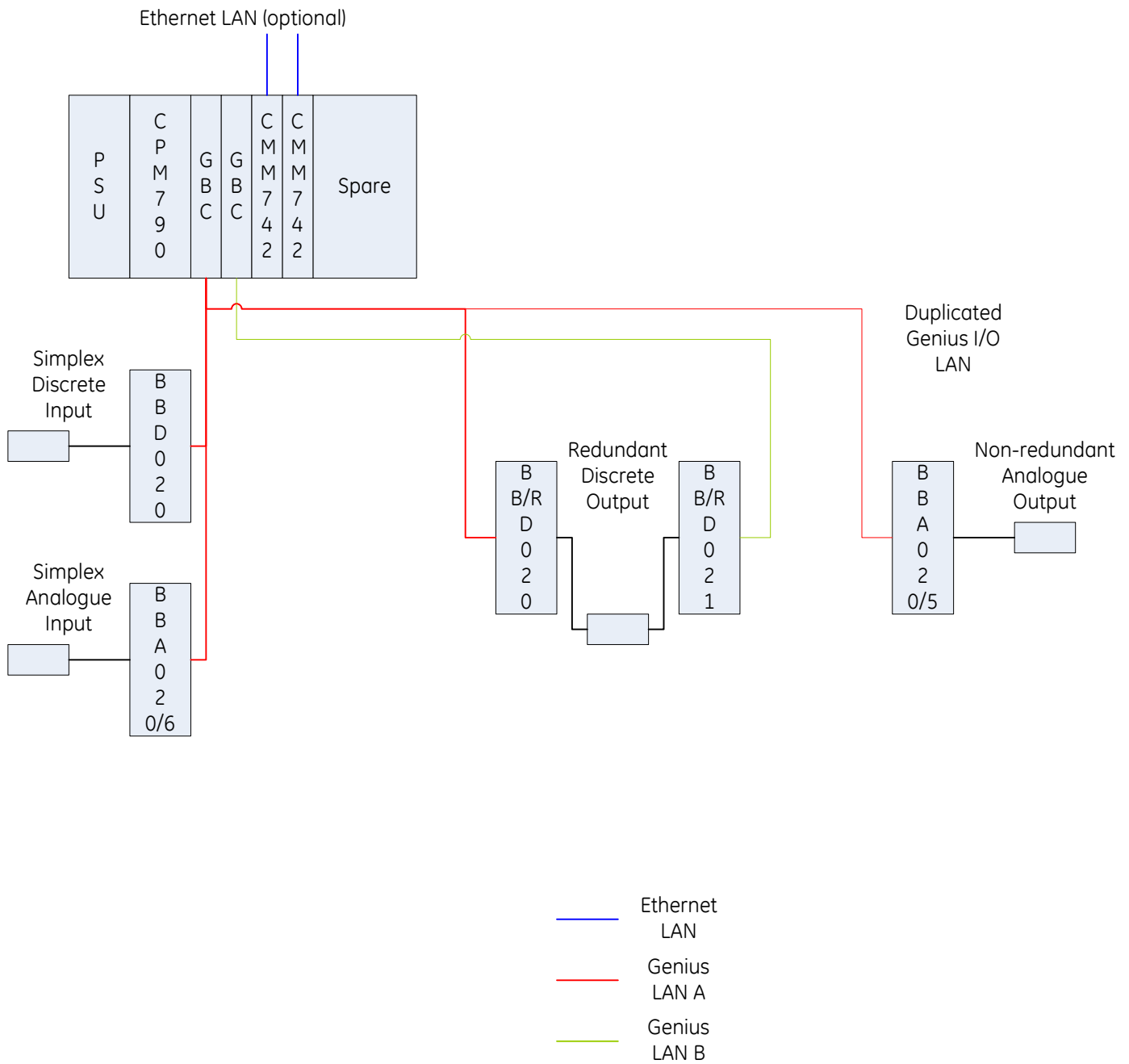




GMR 1001 SIL2 SI AO System Architecture



Notes

SIL2/TUV4 Fail Safe

Simplex Inputs, AND Outputs

Genius I/O LAN is actually daisy chained from one device to the next

Each end of the Genius I/O LAN must be correctly terminated

16 point discrete blocks preferred, 32 point discrete blocks also available